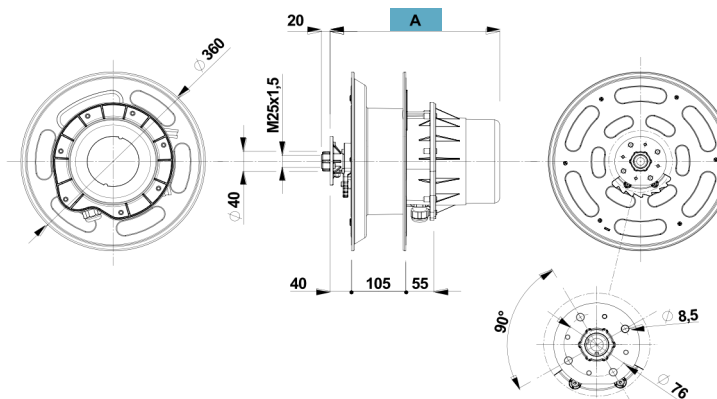


Cable reel IE 1400



- Spring return mechanism
- max. 22m cable
- Steel housing
- Lateral mounting flange
- Can be mounted in any position
- Protection class IP65
- Slip ring isolating voltage 2.5KV
- Slip ring in industrial design
- max. Winding speed 30m/min



No. of conductors	Conductor cross section	Cable length	KW rolled up	KW rolled out	Max. Volt	Cable type	Collector capacity	Art-No. With cable	Art-No. Without cable	A
1	16mm ²	22m	50A	50A	-	H05V-F	50A	2.500.420	2.500.470	330
1	25mm ²	20m	100A	100A	-	H05V-F	100A	2.500.421	2.500.471	330
3	2,5mm ²	22m	2,0	3,5	230V	H05VV-F	20A	2.500.428	2.500.476	330
3	2,5mm ²	25m	2,0	3,5	230V	Igus CF900	20A	2.500.429		
3	4mm ²	17m	3,0	5,0	230V	H05VV-F	50A	2.500.430	2.500.481	330
4	2,5mm ²	20m	7,0	10,0	400V 3F+T	H05VV-F	20A	2.500.434	2.500.478	330
4	2,5mm ²	20m	7,0	10,0	400V 3F+T	H05VV-F	50A	2.500.435	2.500.480	330
4	4mm ²	14m	11,0	15,0	400V 3F+T	H05VV-F	50A	2.500.436	2.500.481	330
5	1,5mm ²	20m	4,0	6,0	400V 3F+T+N	H05VV-F	20A	2.500.440	2.500.483	330
5	2,5mm ²	17m	7,0	10,0	400V 3F+T+N	H05VV-F	20A	2.500.442	2.500.484	330
5	2,5mm ²	17m	7,0	10,0	400V 3F+T+N	H05VV-F	50A	2.500.443	2.500.485	330
8	1mm ²	20m	3A	3A	-	H05VV-F	20A	2.500.450	2.500.487	330
8	1,5mm ²	17m	4,5A	4,5A	-	H05VV-F	20A	2.500.452	2.500.488	330
8	2,5mm ²	14m	7,5A	7,5A	-	H05VV-F	20A	2.500.454		
12	1mm ²	17m	3A	3A	-	CF130	20A	2.500.460	2.500.490	380
12	1,5mm ²	14m	4,5A	4,5A	-	CF130	20A	2.500.462		
12	2,5mm ²	10m	7,5A	7,5A	-	CF130	20A	2.500.464		

Cable reel IE 1400

EBINGER

Technisches Equipment

No. of conductors	Conductor cross section	Cable length	KW rolled up	KW rolled out	Max. Volt	Cable type	Collector capacity	Art-No. With cable	Art-No. Without cable	A
3	2,5mm ²	20m	2,0	3,5	230V	H07RN-F	20A	2.501.428	2.500.476	330
4	1,5mm ²	22m	4,0	6,0	230V	H07RN-F	20A	2.501.432	2.500.478	330
4	2,5mm ²	17m	7,0	10,0	400V 3F+T	H07RN-F	20A	2.501.434	2.500.479	330
4	2,5mm ²	17m	7,0	10,0	400V 3F+T	H07RN-F	50A	2.501.435	2.500.481	330
4	4mm ²	12m	11,0	15,0	400V 3F+T	H07RN-F	50A	2.501.436		
4	6mm ²	10m	17,0	22,0	400V 3F+T+N	H07RN-F	50A	2.501.438		
4	1,5mm ²	17m	4,0	6,0	400V 3F+T+N	H07RN-F	20A	2.501.440	2.500.484	330
5	2,5mm ²	14m	7,0	10,0	400V 3F+T+N	H07RN-F	20A	2.501.442		
5	2,5mm ²	14m	7,0	10,0	400V 3F+T+N	H07RN-F	50A	2.501.443	2.500.485	330
5	4mm ²	10m	11,0	15,0	400V 3F+T+N	H07RN-F	50A	2.501.444		

Accessories	Art.-No
 <p>Fixed mounting bracket</p>	2.500.401
 <p>Fixed mounting bracket</p>	2.500.403
 <p>Roller window with locking mechanism</p>	2.500.406

