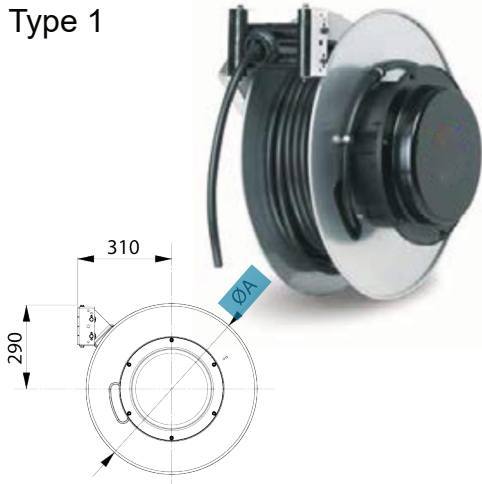


# Cable reel IE 1700



Type 1



- Spring return
- Max. 55m cable
- Steel housing
- Lateral mounting flange
- Can be mounted in any position
- Protection class IP65
- Slip ring isolating voltage 2.5KV
- Slip ring in industrial design
- Max. winding speed 30m/min

Type 2



No. of conductors	Conductor cross section	Cable length	Max. KW rolled up	Max. KW rolled out	Max. Volt	Cable type	Collector capacity	Type	Optional accessories, Art. no. 2.580.						Art. No. with cable	Art. No. without cable	Dimensions		
									701	703	704	706	707	708			A	B	C
1	16mm <sup>2</sup>	32m	-	-	-	H05V-F	60A	1	X	X	X	X	X	X	2.582.711	-	440	160	365
1	25mm <sup>2</sup>	32m	-	-	-	H05V-F	100A	1	X	X	X	X	X	X	2.582.712	-	440	160	365
3	2,5mm <sup>2</sup>	30m	2,0	3,0	230V	H05VV-F	32A	1	X	X	X	X	X	X	2.582.717	2.580.717	440	160	365
3	2,5mm <sup>2</sup>	41m	2,0	3,0	230V	H05VV-F	32A	1	X	X	X	X	X	X	2.582.718	2.580.718	440	160	365
4	2,5mm <sup>2</sup>	31m	7,0	1,0	400V+3F+T	H05VV-F	32A	1	X	X	X	X	X	X	2.582.722	2.580.722	440	160	365
4	2,5mm <sup>2</sup>	41m	6,0	8,5	400V+3F+T	H05VV-F	32A	1	X	X	X	X	X	X	2.582.723	2.580.723	440	160	365
4	2,5mm <sup>2</sup>	55m	6,0	8,5	400V+3F+T	H05VV-F	32A	2	X	X	X	X	X	X	2.582.724	2.580.724	440	190	395
4	4mm <sup>2</sup>	22m	11,0	15,0	400V+3F+T	H05VV-F	32A	1	X	X	X	X	X	X	2.582.726	2.580.726	440	160	365
4	4mm <sup>2</sup>	22m	11,0	15,0	400V+3F+T	H05VV-F	60A	1	X	X	X	X	X	X	2.582.727	2.580.727	440	160	410
4	4mm <sup>2</sup>	26m	11,0	15,0	400V+3F+T	H05VV-F	32A	1	X	X	X	X	X	X	2.582.728	2.580.728	440	160	365
4	4mm <sup>2</sup>	26m	11,0	15,0	400V+3F+T	H05VV-F	60A	1	X	X	X	X	X	X	2.582.729	2.580.729	440	160	410
4	4mm <sup>2</sup>	31m	11,0	15,0	400V+3F+T	H05VV-F	32A	1	X	X	X	X	X	X	2.582.730	2.580.730	440	160	365
4	4mm <sup>2</sup>	31m	11,0	15,0	400V+3F+T	H05VV-F	60A	1	X	X	X	X	X	X	2.582.731	2.580.731	440	160	410
4	4mm <sup>2</sup>	45m	10,0	13,5	400V+3F+T	H05VV-F	32A	2	X	X	X	X	X	X	2.582.732	2.580.732	550	190	395
4	4mm <sup>2</sup>	45m	10,0	13,5	400V+3F+T	H05VV-F	60A	2	X	X	X	X	X	X	2.582.733	2.580.733	550	190	440
4	6mm <sup>2</sup>	17m	17,0	22,0	400V+3F+T	H05VV-F	60A	1	X	X	X	X	X	X	2.582.735	2.580.735	440	160	410
4	6mm <sup>2</sup>	17m	17,0	22,0	400V+3F+T	H05VV-F	100A	1	X	X	X	X	X	X	2.582.736	2.580.736	440	160	410
4	6mm <sup>2</sup>	26m	17,0	22,0	400V+3F+T	H05VV-F	60A	1	X	X	X	X	X	X	2.582.737	2.580.737	550	160	410
4	6mm <sup>2</sup>	26m	17,0	22,0	400V+3F+T	H05VV-F	100A	1	X	X	X	X	X	X	2.582.738	2.580.738	550	160	410

# Cable reel IE 1700

# EBINGER

Technisches Equipment

No. of conductors	Conductor cross section	Cable length	Max. KW rolled up	Max. KW rolled out	Max. Volt	Cable type	Collector capacity	Type	Optional accessories, Art. no. 2.580.						Art. No. with cable	Art. No. without cable	Dimensions		
									701	703	704	706	707	708			A	B	C
4	6mm <sup>2</sup>	40m	17,0	22,0	400V+3F+T	H05VV-F	60A	2	X	X	X	X	X	X	2.582.739	2.580.739	550	190	440
4	6mm <sup>2</sup>	40m	17,0	22,0	400V+3F+T	H05VV-F	100A	2	X	X	X	X	X	X	2.582.740	2.580.740	550	190	440
4	10mm <sup>2</sup>	16m	25,0	30,0	400V+3F+T	H05VV-F	60A	2	X	X	X	X	X	X	2.582.742	2.580.742	550	160	410
4	10mm <sup>2</sup>	16m	25,0	30,0	400V+3F+T	H05VV-F	100A	2	X	X	X	X	X	X	2.582.743	2.580.743	550	160	410
4	10mm <sup>2</sup>	25m	25,0	30,0	400V+3F+T	H05VV-F	60A	2	X	X	X	X	X	X	2.582.744	2.580.744	550	190	440
4	10mm <sup>2</sup>	25m	25,0	30,0	400V+3F+T	H05VV-F	100A	2	X	X	X	X	X	X	2.582.745	2.580.745	550	160	410
4	10mm <sup>2</sup>	40m	25,0	30,0	400V+3F+T	H05VV-F	60A	2	X	X	X	X	X	X	2.582.746	2.580.746	650	190	440
4	10mm <sup>2</sup>	40m	25,0	30,0	400V+3F+T	H05VV-F	100A	2	X	X	X	X	X	X	2.582.747	2.580.747	650	190	440
4	16mm <sup>2</sup>	16m	35,0	40,0	400V+3F+T	H05VV-F	100A	2	X	X	X	X	X	X	2.582.749	2.580.749	550	160	410
4	16mm <sup>2</sup>	30m	35,0	40,0	400V+3F+T	H05VV-F	100A	2	X	X	X	X	X	X	2.582.750	2.580.750	650	190	440
5	2,5mm <sup>2</sup>	22m	7,0	10,0	400V+3F+T+N	H05VV-F	32A	1	X	X	X	X	X	X	2.582.752	2.580.752	440	160	365
5	2,5mm <sup>2</sup>	26m	7,0	10,0	400V+3F+T+N	H05VV-F	32A	1	X	X	X	X	X	X	2.582.753	2.580.753	440	160	365
5	2,5mm <sup>2</sup>	31m	7,0	10,0	400V+3F+T+N	H05VV-F	32A	1	X	X	X	X	X	X	2.582.754	2.580.754	440	160	365
5	2,5mm <sup>2</sup>	55m	6,0	8,5	400V+3F+T+N	H05VV-F	32A	2	X	X	X	X	X	X	2.582.755	2.580.755	550	190	395
5	6mm <sup>2</sup>	17m	17,0	22,0	400V+3F+T+N	H05VV-F	60A	1	X	X	X	X	X	X	2.582.757	2.580.757	440	160	410
5	6mm <sup>2</sup>	17m	17,0	22,0	400V+3F+T+N	H05VV-F	100A	1	X	X	X	X	X	X	2.582.758	2.580.758	440	160	410
5	6mm <sup>2</sup>	26m	17,0	22,0	400V+3F+T+N	H05VV-F	60A	1	X	X	X	X	X	X	2.582.759	2.580.759	550	160	410
5	6mm <sup>2</sup>	26m	17,0	22,0	400V+3F+T+N	H05VV-F	100A	1	X	X	X	X	X	X	2.582.760	2.580.760	550	160	410
5	6mm <sup>2</sup>	40m	17,0	22,0	400V+3F+T+N	H05VV-F	60A	2	X	X	X	X	X	X	2.582.761	2.580.761	550	190	440
5	6mm <sup>2</sup>	40m	17,0	22,0	400V+3F+T+N	H05VV-F	100A	2	X	X	X	X	X	X	2.582.762	2.580.762	550	190	440
8	1,5mm <sup>2</sup>	22m	4,5	4,5	-	H05VV-F	16A	1	X	X	X	X	X	X	2.582.764	2.580.764	440	160	410
8	1,5mm <sup>2</sup>	40m	4,5	4,5	-	H05VV-F	16A	1	X	X	X	X	X	X	2.582.765	2.580.765	550	160	410
8	2,5mm <sup>2</sup>	17m	7,5	7,5	-	H05VV-F	32A	1	X	X	X	X	X	X	2.582.766	2.580.766	440	160	410
8	2,5mm <sup>2</sup>	26m	7,5	7,5	-	H05VV-F	32A	1	X	X	X	X	X	X	2.582.767	2.580.767	550	160	410
8	2,5mm <sup>2</sup>	40m	7,5	7,5	-	H05VV-F	32A	1	X	X	X	X	X	X	2.582.768	2.580.768	550	160	410
8	2,5mm <sup>2</sup>	55m	7,5	7,5	-	H05VV-F	32A	2	X	X	X	X	X	X	2.582.769	2.580.769	550	190	440
10	1,5mm <sup>2</sup>	17m	4,5	4,5	-	H05VV-F	16A	1	X	X	X	X	X	X	2.582.771	2.580.771	440	160	410
10	1,5mm <sup>2</sup>	26m	4,5	4,5	-	H05VV-F	16A	1	X	X	X	X	X	X	2.582.772	2.580.772	550	160	410
10	1,5mm <sup>2</sup>	55m	4,5	4,5	-	H05VV-F	16A	2	X	X	X	X	X	X	2.582.773	2.580.773	550	190	440
12	1,5mm <sup>2</sup>	17m	4,5	4,5	-	CF130.15.12.UL	16A	1	X	X	X	X	X	X	2.582.775	2.580.775	440	160	480
12	1,5mm <sup>2</sup>	26m	4,5	4,5	-	CF130.15.12.UL	16A	1	X	X	X	X	X	X	2.582.776	2.580.776	550	160	480
12	1,5mm <sup>2</sup>	55m	4,5	4,5	-	CF130.15.12.UL	16A	2	X	X	X	X	X	X	2.582.777	2.580.777	550	190	510

# Cable reel IE 1700

# EBINGER

Technisches Equipment

No. of conductors	Conductor cross section	Cable length	Max. KW rolled up	Max. KW rolled out	Max. Volt	Cable type	Collector capacity	Type	Optional accessories, Art. no. 2.580.						Art. No. with cable	Art. No. without cable	Dimensions		
									701	703	704	706	707				A	B	C
16	1mm <sup>2</sup>	32m	3,0	3,0	-	CF130.10.18.UL	16A	2	X	X	X	X	X	X	2.582.778	2.580.778	550	190	510
16	1,5mm <sup>2</sup>	18m	4,5	4,5	-	CF130.15.18.UL	16A	2	X	X	X	X	X	X	2.582.779	2.580.779	440	160	480
16	1,5mm <sup>2</sup>	26m	4,5	4,5	-	CF130.15.18.UL	16A	2	X	X	X	X	X	X	2.582.780	2.580.780	550	160	480
16	1,5mm <sup>2</sup>	40m	4,5	4,5	-	CF130.15.18.UL	16A	2	X	X	X	X	X	X	2.582.781	2.580.781	550	190	510
16	2,5mm <sup>2</sup>	18m	7,5	7,5	-	CF5.25.18	32A	1	X	X	X	X	X	X	2.582.782	2.580.782	550	160	480
16	2,5mm <sup>2</sup>	26m	7,5	7,5	-	CF5.25.18	32A	1	X	X	X	X	X	X	2.582.783	2.580.783	550	190	510
16	2,5mm <sup>2</sup>	40m	7,5	7,5	-	CF5.25.18	32A	2	X	X	X	X	X	X	2.582.784	2.580.784	650	190	510
25	1,5mm <sup>2</sup>	16m	4,5	4,5	-	CF130.15.25.UL	16A	1	X	X	X	X	X	X	2.582.787	2.580.787	550	160	580
25	1,5mm <sup>2</sup>	25m	4,5	4,5	-	CF130.15.25.UL	16A	2	X	X	X	X	X	X	2.582.788	2.580.788	550	190	610
25	1,5mm <sup>2</sup>	40m	4,5	4,5	-	CF130.15.25.UL	16A	2	X	X	X	X	X	X	2.582.789	2.580.789	650	190	610

No. of conductors	Conductor cross section	Cable length	Max. KW rolled up	Max. KW rolled out	Max. Volt	Cable type	Collector capacity	Type	Optional accessories, Art. no. 2.580.						Art. No. with cable	Art. No. without cable	Dimensions		
									701	703	704	706	707	708			A	B	C
3	2,5mm <sup>2</sup>	31m	2,0	3,0	230V	H07RN-F	32A	1	X	X	X	X	X	X	2.581.717	2.580.717	440	160	365
3	2,5mm <sup>2</sup>	41m	2,0	3,0	230V	H07RN-F	32A	1	X	X	X	X	X	X	2.581.718	2.580.718	440	160	365
4	2,5mm <sup>2</sup>	31m	7,0	1,0	400V+3F+T	H07RN-F	32A	1	X	X	X	X	X	X	2.581.722	2.580.722	440	160	365
4	2,5mm <sup>2</sup>	41m	6,0	8,5	400V+3F+T	H07RN-F	32A	1	X	X	X	X	X	X	2.581.723	2.580.723	550	160	365
4	2,5mm <sup>2</sup>	55m	6,0	8,5	400V+3F+T	H07RN-F	32A	2	X	X	X	X	X	X	2.581.724	2.580.724	550	190	395
4	4mm <sup>2</sup>	22m	11,0	15,0	400V+3F+T	H07RN-F	32A	1	X	X	X	X	X	X	2.581.726	2.580.726	440	160	365
4	4mm <sup>2</sup>	22m	11,0	15,0	400V+3F+T	H07RN-F	60A	1	X	X	X	X	X	X	2.581.727	2.580.727	440	160	410
4	4mm <sup>2</sup>	26m	11,0	15,0	400V+3F+T	H07RN-F	32A	1	X	X	X	X	X	X	2.581.728	2.580.728	440	160	365
4	4mm <sup>2</sup>	26m	11,0	15,0	400V+3F+T	H07RN-F	60A	1	X	X	X	X	X	X	2.581.729	2.580.729	440	160	410
4	4mm <sup>2</sup>	45m	10,0	13,5	400V+3F+T	H07RN-F	32A	2	X	X	X	X	X	X	2.581.732	2.580.732	550	190	395
4	4mm <sup>2</sup>	45m	10,0	13,5	400V+3F+T	H07RN-F	60A	2	X	X	X	X	X	X	2.581.733	2.580.733	550	190	440
4	6mm <sup>2</sup>	17m	17,0	22,0	400V+3F+T	H07RN-F	60A	1	X	X	X	X	X	X	2.581.735	2.580.735	440	160	410
4	6mm <sup>2</sup>	17m	17,0	22,0	400V+3F+T	H07RN-F	100A	1	X	X	X	X	X	X	2.581.736	2.580.736	440	160	410
4	6mm <sup>2</sup>	26m	17,0	22,0	400V+3F+T	H07RN-F	60A	1	X	X	X	X	X	X	2.581.737	2.580.737	550	160	410
4	6mm <sup>2</sup>	26m	17,0	22,0	400V+3F+T	H07RN-F	100A	1	X	X	X	X	X	X	2.581.738	2.580.738	550	160	410
4	6mm <sup>2</sup>	40m	17,0	22,0	400V+3F+T	H07RN-F	60A	2	X	X	X	X	X	X	2.581.739	2.580.739	550	190	440
4	6mm <sup>2</sup>	40m	17,0	22,0	400V+3F+T	H07RN-F	100A	2	X	X	X	X	X	X	2.581.740	2.580.740	550	190	440

# Cable reel IE 1700

# EBINGER

Technisches Equipment

No. of conductors	Conductor cross section	Cable length	Max. KW rolled up	Max. KW rolled out	Max. Volt	Cable type	Collector capacity	Type	Optional accessories, Art. no. 2.580.					Art. No. with cable	Art. No. without cable	Dimensions			
									701	703	704	706	707			A	B	C	
5	2,5mm <sup>2</sup>	22m	7,0	10,0	400V+3F+T+N	H07RN-F	32A	1	X	X	X	X	X	X	2.581.752	2.580.752	440	160	365
5	2,5mm <sup>2</sup>	26m	7,0	10,0	400V+3F+T+N	H07RN-F	32A	1	X	X	X	X	X	X	2.581.753	2.580.753	440	160	365
5	2,5mm <sup>2</sup>	31m	7,0	10,0	400V+3F+T+N	H07RN-F	32A	1	X	X	X	X	X	X	2.581.754	2.580.754	550	160	365
5	2,5mm <sup>2</sup>	55m	6,0	8,5	400V+3F+T+N	H07RN-F	32A	2	X	X	X	X	X	X	2.581.755	2.580.755	550	190	395
5	6mm <sup>2</sup>	17m	17,0	22,0	400V+3F+T+N	H07RN-F	60A	1	X	X	X	X	X	X	2.581.757	2.580.757	440	160	410
5	6mm <sup>2</sup>	17m	17,0	22,0	400V+3F+T+N	H07RN-F	100A	1	X	X	X	X	X	X	2.581.758	2.580.758	440	160	410
5	6mm <sup>2</sup>	40m	17,0	22,0	400V+3F+T+N	H07RN-F	60A	2	X	X	X	X	X	X	2.581.761	2.580.761	550	160	410
5	6mm <sup>2</sup>	40m	17,0	22,0	400V+3F+T+N	H07RN-F	100A	2	X	X	X	X	X	X	2.581.762	2.580.762	550	190	440

Accessories	Art. No.
 <p>Wall bracket swivelling</p>	2.580.701
 <p>Fixed mounting bracket</p>	2.580.703
 <p>Roller guide reversible (width 160mm)</p>	2.580.704
 <p>Roller guide reversible (width 190mm)</p>	2.580.708
 <p>Arm with roller guide and locking device (width 145mm)</p>	2.580.707
 <p>Arm with roller guide and locking device (width 115mm)</p>	2.580.706

