



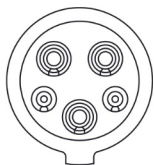
NEW: Cable reels for green mobility

- Spring rewind mechanism
- Latching system
- Roller window for cable routing
- For more order, cleanliness and safety when charging the electric car
- Housing made of steel / aluminium or plastic
- Available with various plug types
- Available for single-phase or three-phase systems
- Mountable in any position
- Optionally with integrated wallbox



Connectors guide

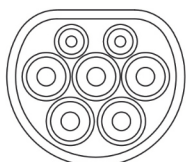
Type 1 SAE J1772-2009



- With 5 contacts
- North American and Japanese standard
- Can be used for single-phase installations
- Max. 32A 230V



Type 2 VDE-AR-E 2623-2-2

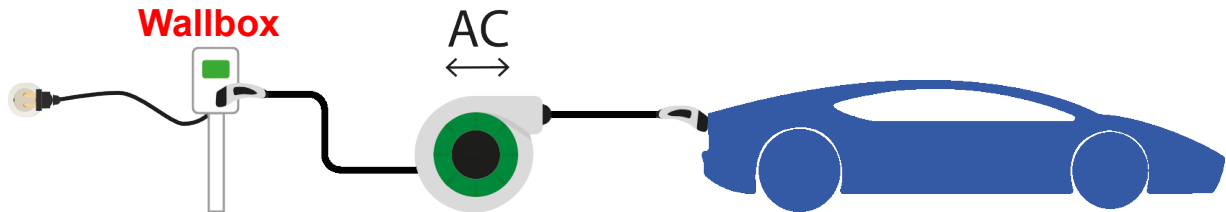
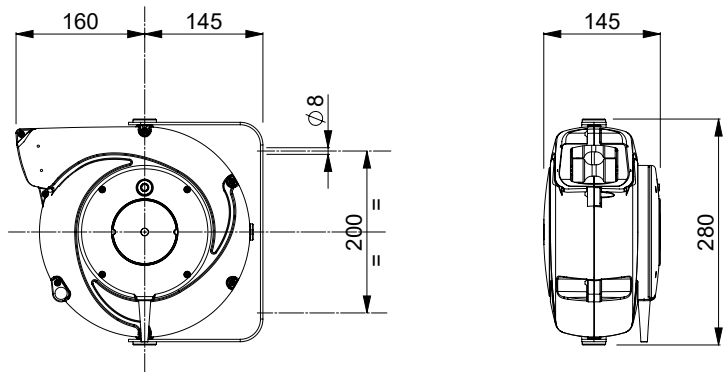


- With 7 contacts
- **European standard**
- Can be used for single-phase or triple-phase installations
- Max. 32A 230V / 32A 400V





- Cable reel for car charging station
- With integrated wall bracket, swivelling
- For single-phase systems (230V)

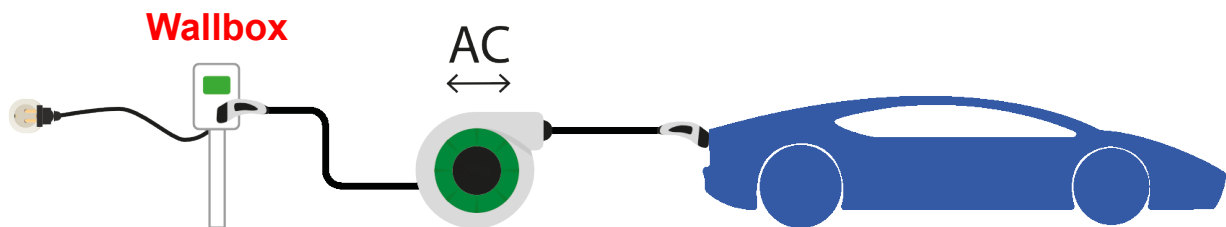
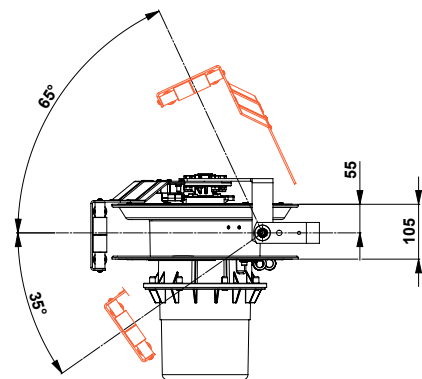
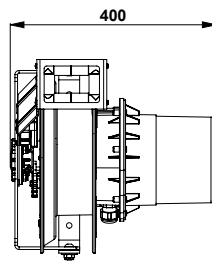
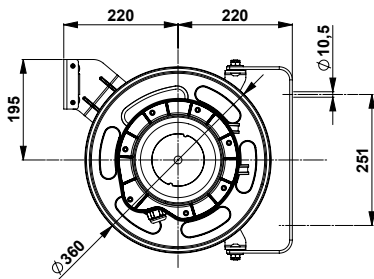


Item-No.	Cable type	Charging	Charging plug	Charging socket vehicle side	Cable length	Protection type
2.354.001	3G2,5 + 1x0,5	Single-phase 16A	Type 1	Type 2	4m	IP42
2.351.002	3G2,5 + 1x0,5	Single-phase 16A	Type 2	Type 2	4m	IP42

Without integrated wallbox



- Cable reel for car charging station
- Side mounting flange
- Wall bracket optionally available
- For single-phase or triple-phase systems (230V / 400V)



Item-No.	Cable type	charging	Charging plug	Charging socket vehicle side	Cable length	Protection type
2.504.001	3G6 + 1x0,5	Single-phase 32A	Type 1	Type 2	8m	IP65
2.504.002	3G6 + 1x0,5	Single-phase 32A	Type 2	Type 2	8m	IP65
2.504.003	5G2,5x1x0,5	Triple-phase 16A	Type 2	Type 2	8m	IP65
2.504.004	5G6+1x0,5	Triple-phase 32A	Type 2	Type 2	8m	IP65

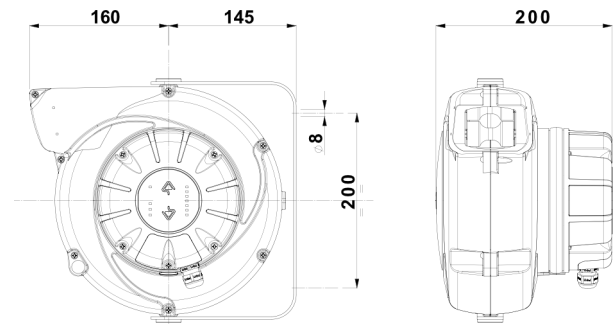
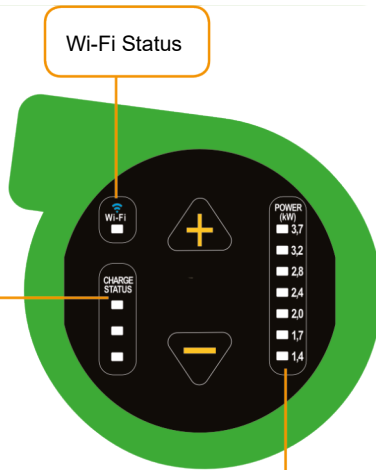
Without integrated wallbox

Item-No.	Designation
2.500.401	Swivel wall bracket
2.500.403	Fix mounting bracket





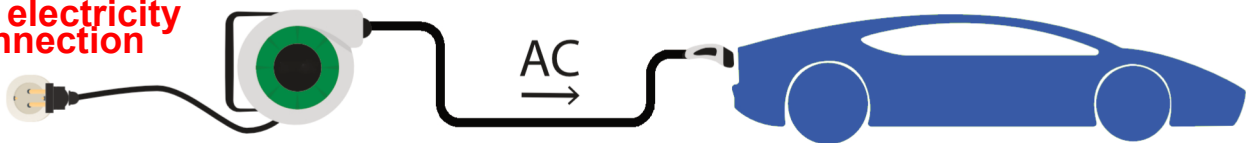
- **The only cable reel with integrated wallbox**
- **With integrated mounting bracket**
- **For single-phase systems (230V)**
- **With charge level indicator**
- **Optionally with Wi-Fi**



7 power levels can be selected:

KW	3,7	3,2	2,8	2,4	2,0	1,7	1,4
A	16	14	12	10	8,5	7,5	6

230V electricity connection



Item-No.	Cable type	charging	charging socket vehicle side	Cable length	Protection type	Wi-Fi
2.354.201	3G2,5 + 1x0,5	Single-phase 16A	Type 1	4m	IP42	✓
2.354.101	3G2,5 + 1x0,5	Single-phase 16A	Type 1	4m	IP42	
2.354.202	3G2,5 + 1x0,5	Single-phase 16A	Type 2	4m	IP42	✓
2.354.102	3G2,5 + 1x0,5	Single-phase 16A	Type 2	4m	IP42	

