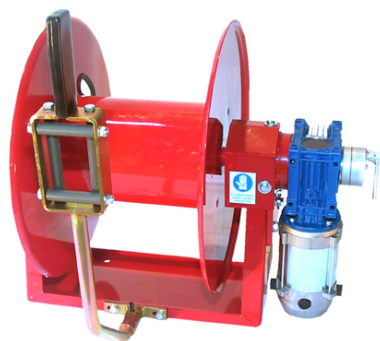


Hose reel MGE S

EBINGER

Technisches Equipment

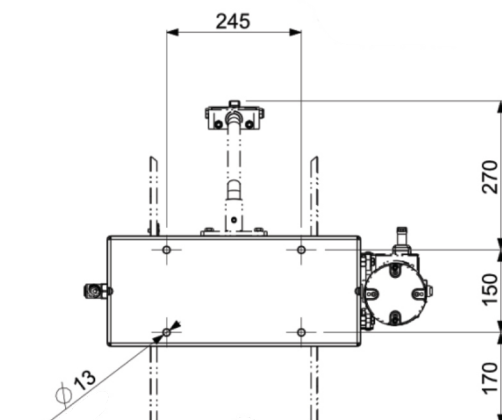
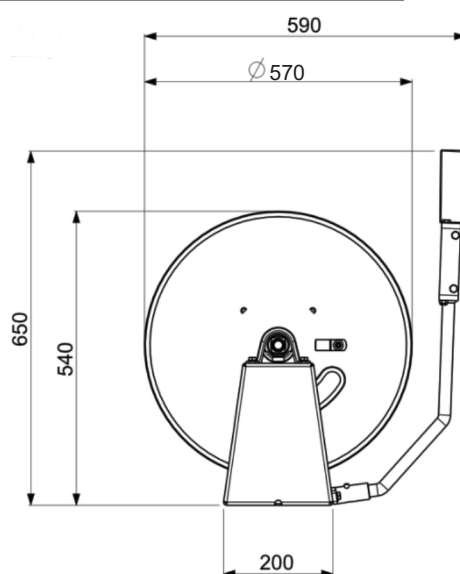
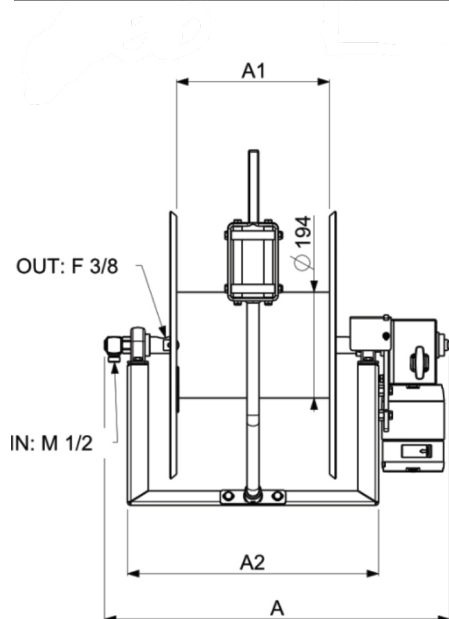


- Electric motor 24V with manual engageable clutch
- Control box with emergency stop switch
- Interchangeable battery and charger
- Casing in painted steel
- Axle with ball bearings
- Swivel joint in brass
- Fixed mounting bracket
- Without hose

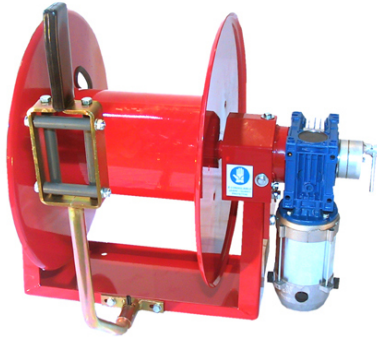
| Item-No. | Designation | Medium | Max. length of the hose | Max. Ø | Max. pressure | Max. temp. | Motor |
|-----------|-------------|---|-------------------------|----------------|---------------|------------|-------|
| 2.965.200 | MGE 124S | Water Pesticides High pressure Diesel Oil | 70m 50m | 10mm 12,5mm | 250bar | 90°C | 24V |
| 2.965.210 | MGE 224S | | 110m 80m | | 250bar | 90°C | |
| 2.965.220 | MGE 324S | | 160m 110m | | 250bar | 90°C | |
| 2.965.230 | MGE 424S | | 200m 150m | | 250bar | 90°C | |

| Item-No. | A | A1 | A2 | kg |
|-----------|-----|-----|-----|----|
| 2.965.200 | 615 | 180 | 360 | 30 |
| 2.965.210 | 715 | 280 | 460 | 33 |
| 2.965.220 | 815 | 380 | 560 | 36 |
| 2.965.230 | 915 | 480 | 660 | 39 |

| Optional accessories | |
|----------------------|--------------------------------------|
| Item-No. | Designation |
| 130.006 | Roller hose guide outlet with handle |



Hose reel MGE S



- Electric motor 230/400V with automatic freewheel
- Control box with emergency stop switch
- Casing in painted steel
- Axle with ball bearings
- Swivel joint in brass
- Fixed mounting bracket
- Without hose

| Item-No. | Designation | Medium | Max. length of the hose | Max. Ø | Max. pressure | Max. temp. | Motor |
|-----------|-------------|---|-------------------------|----------------|---------------|------------|----------|
| 2.969.200 | MGE 140S | Water Pesticides High pressure Diesel Oil | 70m 50m | 10mm 12,5mm | 250bar | 90°C | 230/400V |
| 2.969.210 | MGE 240S | | 110m 80m | | 250bar | 90°C | |
| 2.969.220 | MGE 340S | | 160m 110m | | 250bar | 90°C | |
| 2.969.230 | MGE 440S | | 200m 150m | | 250bar | 90°C | |

| Item-No. | A | A1 | A2 | kg |
|-----------|-----|-----|-----|----|
| 2.969.200 | 530 | 180 | 360 | 34 |
| 2.969.210 | 630 | 280 | 460 | 37 |
| 2.969.220 | 730 | 380 | 560 | 40 |
| 2.969.230 | 830 | 480 | 660 | 43 |

| Optional accessories | |
|----------------------|--------------------------------------|
| Item-No. | Designation |
| 130.006 | Roller hose guide outlet with handle |

