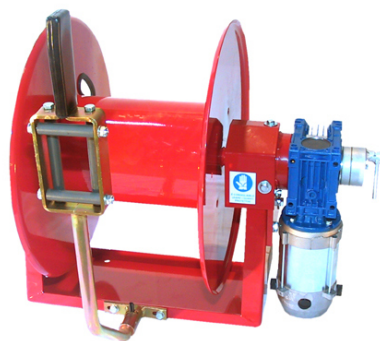


Hose reel MGE

EBINGER

Technisches Equipment



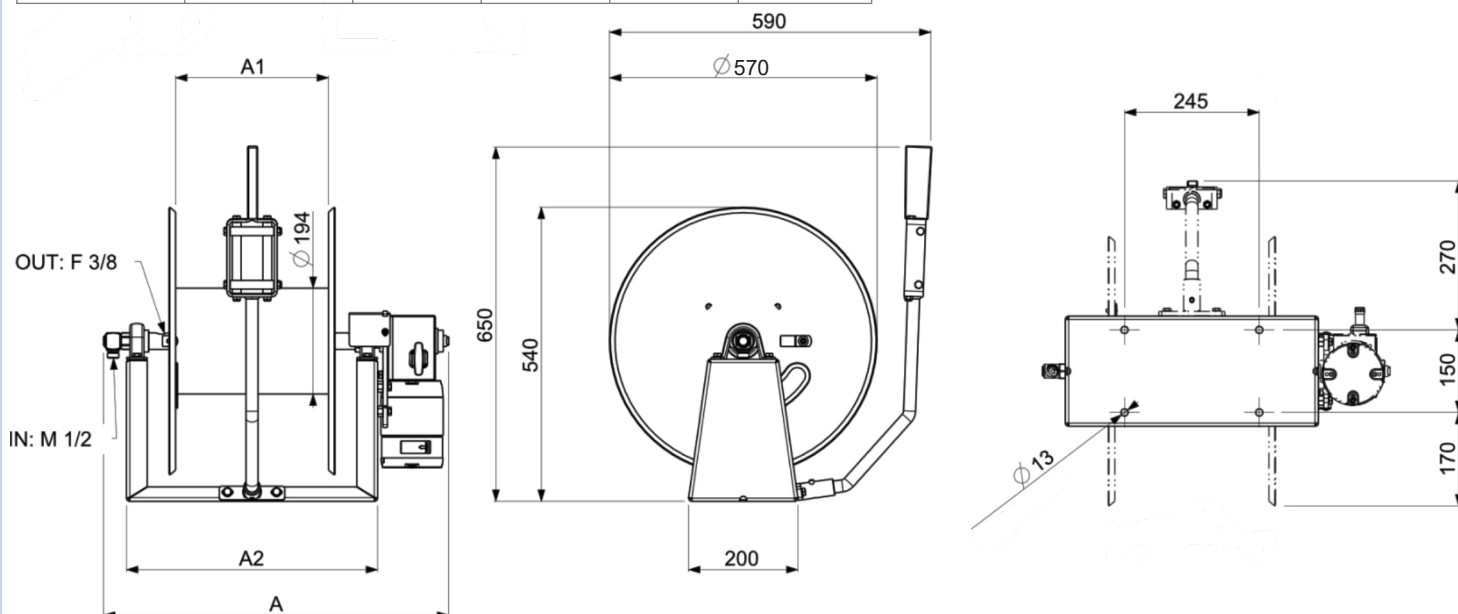
- Electric motor 12V or 24V with manual engageable clutch
- Casing in painted steel
- Axle with ball bearings
- Swivel joint in brass
- Fixed mounting bracket
- Without hose

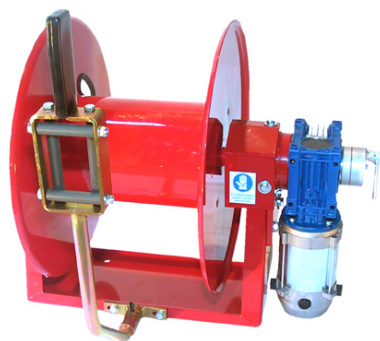
Mains connection with cable min. 6mm². For vehicles, also check the connection before the mains plug. A 30A fuse must be connected in between.

Item-No.	Designation	Medium	Max. length of the hose	Max. Ø	Max. pressure	Max. temp.	Motor
2.960.000	MGE 112	Water Pesticides High pressure Diesel Oil	70m 50m	10mm 12,5mm	250bar	90°C	12V
2.960.010	MGE 212		110m 80m		250bar	90°C	
2.960.020	MGE 312		160m 110m		250bar	90°C	
2.960.030	MGE 412		200m 150m		250bar	90°C	
2.965.000	MGE 124		70m 50m		250bar	90°C	24V
2.965.010	MGE 224		110m 80m		250bar	90°C	
2.965.020	MGE 324		160m 110m		250bar	90°C	
2.965.030	MGE 424		200m 150m		250bar	90°C	

Item-No. 12V	Item-No. 12V	A	A1	A2	kg
2.960.000	2.965.000	615	180	360	30
2.960.010	2.965.010	715	280	460	33
2.960.020	2.965.020	815	380	560	36
2.960.030	2.965.030	915	480	660	39

Optional accessories	
Item-No.	Designation
130.006	Roller hose guide outlet with handle
130.029	Control box, funktion: rolling in





- Electric motor 230/400V with automatic freewheel
- Casing in painted steel
- Axle with ball bearings
- Swivel joint in brass
- Fixed mounting bracket
- Without hose

Mains connection with cable min. 6mm². For vehicles, also check the connection before the mains plug. A 30A fuse must be connected in between.

Item-No.	Designation	Medium	Max. length of the hose	Max. Ø	Max. pressure	Max. temp.	Motor
2.969.000	MGE 140	Water Pesticides High pressure Diesel Oil	70m 50m	10mm 12,5mm	250bar	90°C	230/400V
2.969.010	MGE 240		110m 80m		250bar	90°C	
2.969.020	MGE 340		160m 110m		250bar	90°C	
2.969.030	MGE 440		200m 150m		250bar	90°C	

Item-No.	A	A1	A2	kg
2.969.000	530	180	360	34
2.969.010	630	280	460	37
2.969.020	730	380	560	40
2.969.030	830	480	660	43

Optional accessories	
Item-No.	Designation
130.006	Roller hose guide outlet with handle

