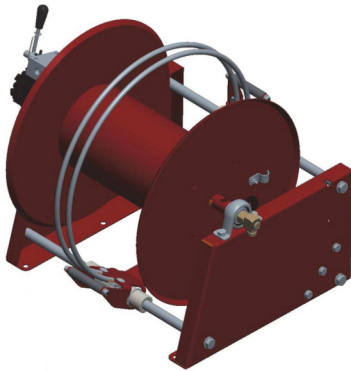


# Hose reel MGTO

**EBINGER**

Technisches Equipment



- Hydraulic motor with freewheel
- Casing in painted steel
- Automatic hose guide
- Fixed mounting bracket
- Without hose

Item-No.	Designation	Medium	Max. length of the hose	Max. Ø	Max. pressure	Max. temp.
2.968.024	MGTO 300	water pesticides high pressure diesel oil	160m 110m	10mm 12,5mm	250bar	90°C

