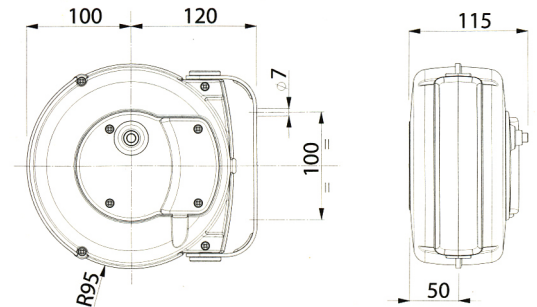






- Spring rewind mechanism
- Latching system
- Max. 8m cable
- Plastic casing shockproof and UV-resistant
- Swiveling mounting bracket
- Mountable in any position
- Protection type IP42



No. of conductors	Conductors section (mm ²)	Cable length	Max. Watt 	Max. Watt 	V max. (test load)	Cable type	Slipping	Item-No.
1	6mm ²	7m	-	-	-	H05V-F	10A	2.200.001
2	1mm ²	8m	1100	1600	500V	H05VV-F	10A	2.200.002*
2	1,5mm ²	6m	1300	1800	500V	H05VV-F	10A	2.200.003*
3	1mm ²	7m	1100	1600	500V	H05VV-F	10A	2.200.004*
3	1,5mm ²	6m	1400	1900	500V	H05VV-F	10A	2.200.005*

*Cable reel with incorporated thermic protection

Cable reel 3x1,5mm², 3x2,5mm² incl. Schuko plug and socket

