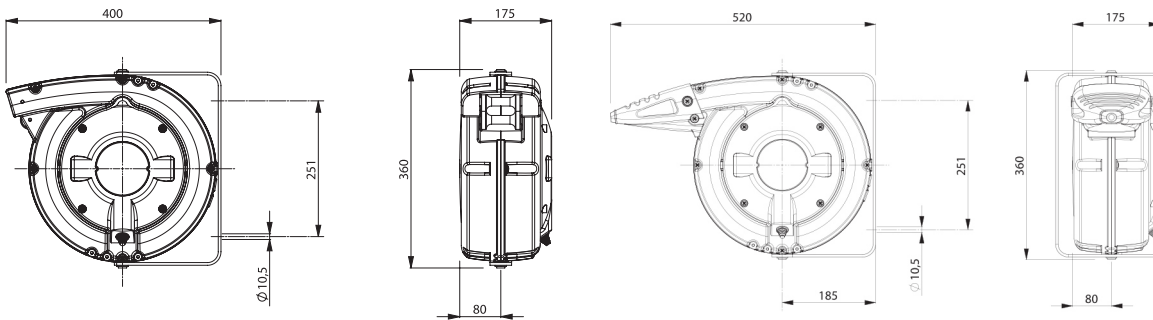




- Spring rewind mechanism
- Latching system
- Max. 30m cable
- Aluminium casing
- Swiveling mounting bracket
- Mountable in any position
- Protection type **IP42 (PR-C)** and **IP43 (PR-L)** and IP65

The rubber cable guide opening on model PR-L prevents dirt and rain from entering the cable reel. Furthermore, an even winding of the cable is guaranteed. Model PR-L is recommended for use in complex systems, e.g. lifts or cranes.



Reel with 12 or 16 conductors 250mm wide

### IP 42 / IP 43

No. of conductors	Conductors section (mm <sup>2</sup> )	Cable length	Max. Watt	Max. Watt	V max.	Cable type	Slipping	Item-No. PR-C	Item-No. PR-L
1	2,5mm <sup>2</sup>	30m	-	-	-	H05V-F	10A	2.400.001	2.401.001
1	6mm <sup>2</sup>	26m	-	-	-	H05V-F	20A	2.400.002	2.401.002
1	16mm <sup>2</sup>	17m	-	-	-	H05V-F	20A	2.400.003	2.401.003
2	1,5mm <sup>2</sup>	26m	1100	1800	500V	H05VV-F	10A	2.400.006	2.401.006
2	2,5mm <sup>2</sup>	23m	1800	2500	500V	H05VV-F	10A	2.400.007	2.401.007
3	1,5mm <sup>2</sup>	26m	1100	1800	500V	H05VV-F	10A	2.400.009	2.401.009
3	2,5mm <sup>2</sup>	17m	2000	3000	500V	H05VV-F	10A	2.400.010	2.401.010
3	2,5mm <sup>2</sup>	17m	2000	3000	500V	H05VV-F	20A	2.400.011	2.401.011
4	1mm <sup>2</sup>	26m	800	1400	500V	H05VV-F	10A	2.400.012	2.401.012
4	1,5mm <sup>2</sup>	23m	1100	1800	500V	H05VV-F	10A	2.400.013	2.401.013
4	2,5mm <sup>2</sup>	17m	2000	3000	500V	H05VV-F	10A	2.400.014	2.401.014
4	2,5mm <sup>2</sup>	17m	2000	3000	500V	H05VV-F	20A	2.400.015	2.401.015
4	4mm <sup>2</sup>	10m	3000	4000	500V	H05VV-F	20A	2.400.016	2.401.016

## IP 42 / IP 43

No. of conductors	Conductors section (mm <sup>2</sup> )	Cable length	Max. Watt	Max. Watt	V max.	Cable type	Slipring	Item-No. PR-C	Item-No. PR-L
5	1,5mm <sup>2</sup>	17m	1500	2200	500V	H05VV-F	10A	2.400.018	2.401.018
5	2,5mm <sup>2</sup>	12m	2000	3000	500V	H05VV-F	10A	2.400.019	-
5	2,5mm <sup>2</sup>	12m	2000	3000	500V	H05VV-F	20A	2.400.020	2.401.020
7	1mm <sup>2</sup>	18m	3A	3A	500V	H05VV-F	3A	2.400.021	2.401.021
7	1,5mm <sup>2</sup>	11m	4,5A	4,5A	500V	H05VV-F	4,5A	2.400.022	2.401.022
8	1mm <sup>2</sup>	13m	3A	3A	500V	H05VV-F	3A	2.400.023	2.401.023
8	1,5mm <sup>2</sup>	10m	4,5A	4,5A	500V	H05VV-F	4,5A	2.400.024	2.401.024
8	2,5mm <sup>2</sup>	8m	7,5A	7,5A	500V	H05VV-F	7,5A	2.400.025	2.401.025
10	1mm <sup>2</sup>	10m	3A	3A	500V	H05VV-F	3A	2.400.026	2.401.026
10	1,5mm <sup>2</sup>	8m	4,5A	4,5A	500V	H05VV-F	4,5A	2.400.027	2.401.027
12	1mm <sup>2</sup>	12m	3A	3A	500V	H05VV-F	3A	2.400.028	2.401.028
12	1,5mm <sup>2</sup>	8m	4,5A	4,5A	500V	H05VV-F	4,5A	2.400.029	2.401.029
16	1mm <sup>2</sup>	8m	3A	3A	500V	H05VV-F	3A	2.400.030	2.401.030

## IP 65

No. of conductors	Conductors section (mm <sup>2</sup> )	Cable length	Max. Watt	Max. Watt	V max.	Cable type	Slipring	Item-No. PR-C	Item-No. PR-L
1	6mm <sup>2</sup>	26m	-	-	-	H05V-F	20A	2.402.002	2.403.002
1	16mm <sup>2</sup>	17m	-	-	-	H05V-F	20A	2.402.003	2.403.003
2	1,5mm <sup>2</sup>	26m	1100	1800	500V	H05VV-F	10A	2.402.006	2.403.006
2	2,5mm <sup>2</sup>	23m	1800	2500	500V	H05VV-F	10A	2.402.007	2.403.007
3	1,5mm <sup>2</sup>	26m	1100	1800	500V	H05VV-F	10A	2.402.009	2.403.009
3	2,5mm <sup>2</sup>	17m	2000	3000	500V	H05VV-F	20A	2.402.011	2.403.011
4	1,5mm <sup>2</sup>	23m	1100	1800	500V	H05VV-F	10A	2.402.013	2.403.013
4	2,5mm <sup>2</sup>	17m	2000	3000	500V	H05VV-F	20A	2.402.015	2.403.015
5	1,5mm <sup>2</sup>	17m	1500	2200	500V	H05VV-F	10A	2.402.018	2.403.018
5	2,5mm <sup>2</sup>	12m	2000	3000	500V	H05VV-F	10A	2.402.019	2.403.019
7	1mm <sup>2</sup>	18m	3A	3A	48V	H05VV-F	3A	2.402.021	2.403.021
7	1,5mm <sup>2</sup>	11m	4,5A	4,5A	48V	H05VV-F	4,5A	2.402.022	2.403.022
8	1mm <sup>2</sup>	13m	3A	3A	48V	H05VV-F	3A	2.402.023	2.403.023
8	1,5mm <sup>2</sup>	10m	4,5A	4,5A	48V	H05VV-F	4,5A	2.402.024	2.403.024

## IP 42 / IP 43

No. of conductors	Conductors section (mm <sup>2</sup> )	Cable length	Max. Watt	Max. Watt	V max.	Cable type	Slipring	Item-No. PR-C	Item-No. PR-L
3	1,5mm <sup>2</sup>	22m	1100	1800	220V	H07RN-F	10A	2.405.009	2.406.009
3	2,5mm <sup>2</sup>	14m	2000	3000	220V	H07RN-F	10A	2.405.010	2.406.010
3	2,5mm <sup>2</sup>	14m	2000	3000	220V	H07RN-F	20A	<b>2.405.011</b>	<b>2.406.011</b>
4	1,5mm <sup>2</sup>	18m	1100	1800	750V	H07RN-F	10A	2.405.013	2.406.013
4	2,5mm <sup>2</sup>	12m	2000	3000	750V	H07RN-F	20A	<b>2.405.015</b>	<b>2.406.015</b>
5	2,5mm <sup>2</sup>	10m	2000	1800	750V	H07RN-F	20A	<b>2.405.020</b>	<b>2.406.020</b>

## IP 65

No. of conductors	Conductors section (mm <sup>2</sup> )	Cable length	Max. Watt	Max. Watt	V max.	Cable type	Slipring	Item-No. PR-C	Item-No. PR-L
3	1,5mm <sup>2</sup>	22m	1100	1800	750V	H07RN-F	10A	2.407.009	2.408.009
3	2,5mm <sup>2</sup>	14m	2000	3000	750V	H07RN-F	10A	2.407.010	2.408.010
3	2,5mm <sup>2</sup>	14m	2000	3000	750V	H07RN-F	20A	<b>2.407.011</b>	<b>2.408.011</b>
4	1,5mm <sup>2</sup>	18m	1100	1800	750V	H07RN-F	10A	2.407.013	2.408.013
4	2,5mm <sup>2</sup>	12m	2000	3000	750V	H07RN-F	10A	2.407.014	2.408.014
4	2,5mm <sup>2</sup>	12m	2000	3000	750V	H07RN-F	20A	<b>2.407.015</b>	<b>2.408.015</b>
5	2,5mm <sup>2</sup>	10m	2000	1800	750V	H07RN-F	10A	2.407.019	2.408.019

Items in bold = models with reinforced sliprings

Cable reel with 3x1,5mm<sup>2</sup>, 3x2,5mm<sup>2</sup> incl. Schuko plug and socket (except protection type IP 65)

Cable reel with 5x1,5mm<sup>2</sup> incl. CEE-connection 16A (except protection type IP 65)

Cable reel with 5x2,5mm<sup>2</sup> incl. CEE-connection 32A (except protection type IP 65)

Accessories	Item-No.
Device to fix the wall bracket	2.409.001
Conversion kit from X-F zu X-L	2.409.002

